



**Model 2030
OS&Y
Gate Valve**



Maintenance and Operation Manual

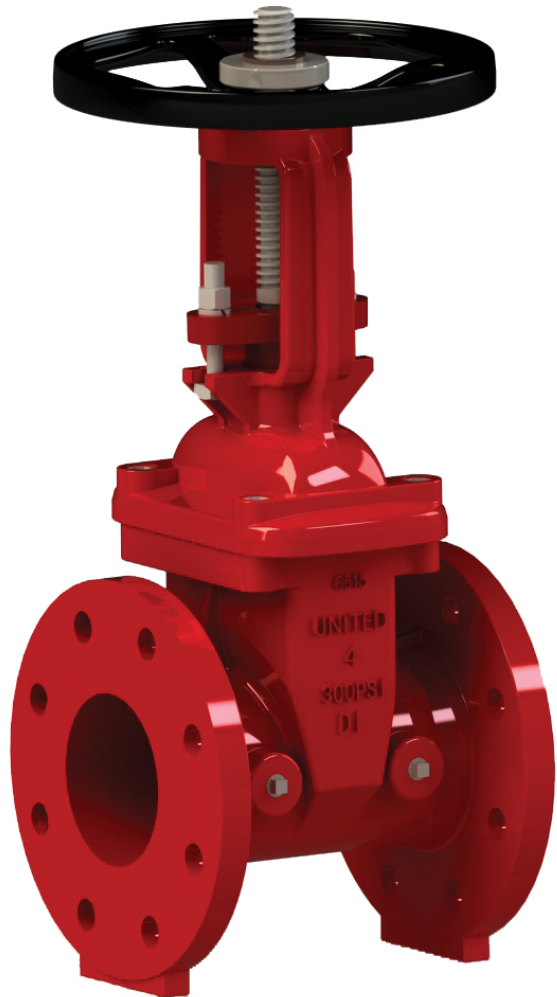
UL/FM Resilient OS&Y Gate Valve Configuration
AWWA C515

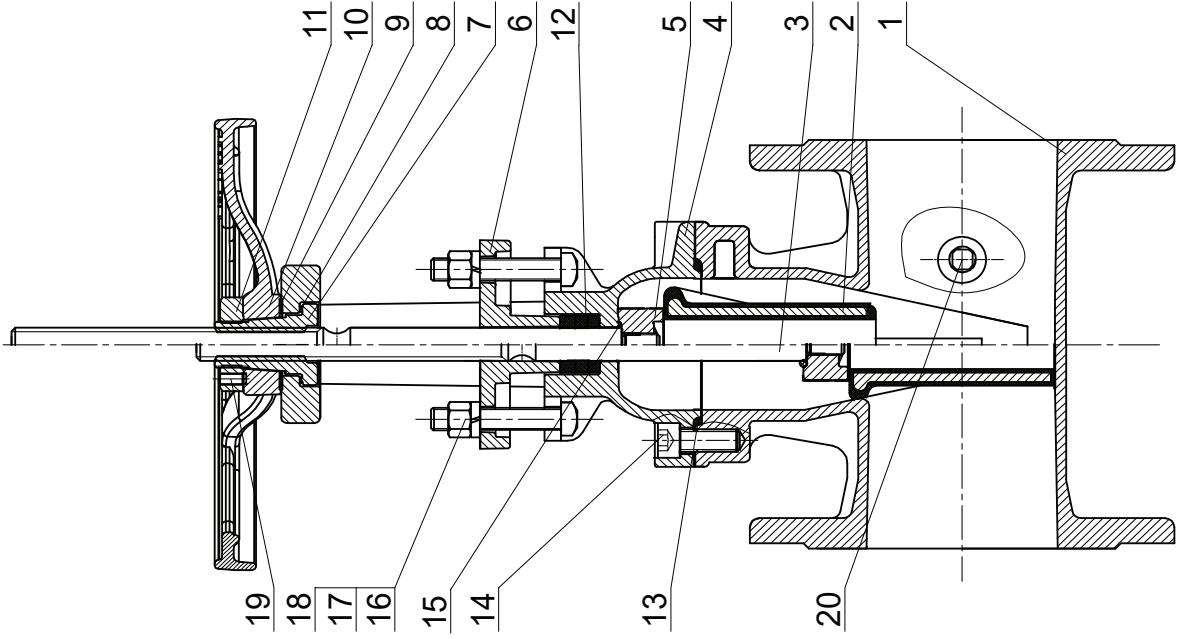


LISTED



APPROVED





ITEM NO.	DESCRIPTION	MATERIAL
1	Body	Ductile Iron, ASTM A536 65-45-12
2	Wedge	Ductile Iron - EPDM Coated
3	Stem	Stainless Steel, AISI 304
4	Bonnet	Ductile Iron, ASTM A536 65-45-12
5	Disc Nut	ASTM A351 CF8
6	Gland	Ductile Iron, ASTM A536 65-45-12
7	Stem Nut	Bronze, ASTM B62
8	Stem Nut Washer	ASTM B16
9	Handwheel Washer	ASTM B16
10	Handwheel	Ductile Iron, ASTM A536 65-45-12
11	Handwheel Nut	Galvanized Carbon Steel
12	Packing	PTFE
13	Gasket	EPDM
14	Hex Socket Cap Screw	8.8 Rating
15	O-Ring	EPDM
16	Nut	Stainless Steel AISI 304
17	Sq. Bolt	Stainless Steel AISI 304
18	Spring Washer	Stainless Steel AISI 304
19	Hex Cylinder Head Set Screws	Stainless Steel AISI 304
20	Plug	Stainless Steel AISI 304

LAYOUT AND SITING

At the design stage, it should be considered where valves will be located in order to allow access for operation, adjustment, maintenance and repair. Outside screw-and-yoke valves (OS&Y) require space above the valve to accommodate the rising stem.

Valves must be provided with adequate support. Adjoining pipe-work must be supported to avoid the imposition of pipeline strains on the valve body, which would impair its performance or crack the valve body. Heavy valves may need independent support or anchorage.

Gate valves may be installed in:

- a) Horizontal pipe-work with stem in the vertical position.
- b) Vertical pipe-work with stem in the horizontal position.

The valve should not be installed in horizontal pipe-work with the stem in the horizontal position, because shut-off performance may be impaired. In the best interest of safety concerns, valves installed for end-of-line service and opened infrequently should be fitted with a locking device on the operating mechanism. Otherwise, they should be fitted with a UNITED Blind Flange on the downstream flange of the valve.

INSTALLATION

Prior to installation, a check of the identification plate and body marking must be made to ensure that the correct valve is being installed.

Valves should not be subjected to misuse such as careless handling, allowing dirt to enter the valve through the end ports, lack of cleaning both the valves and system before operation, and using excessive force during bolting and hand-wheel operation.

All special packaging material must be removed before beginning the installation process.

Valves must be provided with adequate support. Adjoining pipe-work must be supported to avoid the imposition of pipeline strains on the valve body, which would impair its performance or crack the valve body.

Valves should not be lifted by means of the hand-wheel or the stem.

Immediately prior to valve installation, the pipe-work to which the valve is to be fastened should be inspected to ensure that it is clean and free of debris. Valve end caps should only be permanently removed just before installation.

Each valve interior should be inspected through the end ports to determine that it is clean and free from foreign matter. The mating flange (both valve and pipe-work flanges) should be examined for correct gasket contact face, surface finish, and condition. If a condition is found which would potentially cause leakage, final assembly should not be attempted until the condition is corrected.

The gaskets should be suitable for operating conditions and maximum pressure/temperature ratings. The gaskets should be inspected to ensure freedom from defects or damage.

The following steps should be taken to ensure correct alignment of the flanges being assembled. First, the installer should ensure that the initial contact of flange and gasket is parallel and that the faces are uniform. Then, the bolts should be tightened progressively by means of a crisscrossed pattern and should be repeated until all bolts are adequately tightened.

Parallel alignment and concentricity of flanges are especially important in the event of assembling a valve into an existing system; misalignment could cause damage to the valve body.

Flanged joints depend on compressive deformation of the gasket material between the flange surfaces. Thus, the bolting must be checked for correct size, length, material and that all connection flange bolt holes have been utilized.

At the conclusion of installation and before operating, all deposits or foreign material shall be removed from the equipment.

OPERATING

The valve is opened by counterclockwise rotation of the hand-wheel to a positive stop without further effort. When fully open, it is advantageous to rotate the hand-wheel clockwise 1/2 turn.

To close the valve, the hand-wheel is rotated clockwise to a positive stop. Wheel-keys or other similar devices should not be used.

Note: When the valve is closed at extreme high temperature and then cooled, the wedge may become tight in the valve and found difficult to open. Conversely, a valve closed at room temperature can be difficult to open if there is an increase in fluid temperature causing a linear expansion of the stem, which may tighten the wedge further into the body seat.

The operator should use suitable hand protection at extreme temperature conditions.

The valve should only be used in the open or closed position. Regulating or throttling service should be avoided.

MAINTENANCE

The valve should be at zero pressure and ambient temperature prior to any maintenance.

Maintenance personnel must use tools and equipment applicable for resilient-seated gate valves. Tools causing sparks are only permissible as long as no volatile conditions are present.

A full risk assessment must be undertaken prior to any maintenance. The assessment must take into account the possibility of exceeding the limits of use whereby a potential hazard could result. A maintenance program should therefore include checks on the development of unforeseen conditions, which could lead to failure.

In systems where corrosion is a potential hazard, wall thickness checks on the body and bonnet should be made. This requires either the removal of the valve from the pipeline or removal of the bonnet from the system at zero pressure. If the wall thickness has reduced by 25%, the valve must be replaced.

GLAND ADJUSTMENT

The gland may need adjustment during installation and then periodically thereafter to maintain a seal. The following procedure is recommended:

Each gland nut should be tightened diametrically and evenly until increased resistance in operating the valve is obtained; or if leakage is present, it should be tightened until the leakage stops.

Note: It is recommended that within the 1st year the gland be inspected at 3-month intervals to check for gland leakage.

Under normal working conditions, Gate Valves should not need further attention; however, when further attention is required, the following procedure is recommended:

Insert Additional Packing

1. Turn off circulating pumps.
2. Close valve by clockwise rotation of the hand-wheel.
3. Loosen gland nuts (counterclockwise) and remove.
4. Lift the gland.
5. Insert additional packing by wrapping graphite tape-style packing around the stem and pushing it down into the stuffing box.
6. Reinstall the gland and nuts; tighten gland nuts diametrically and evenly until increased resistance in operating the valve is obtained.